

# SUMMER BLUE X



## WASH BASIN

PRODUCT ID  
(RB.SBX.01G104.01.11)

A fine fire clay, above counter Wash Basin without an overflow hole. This product is designed to be installed on a cantilevered wooden base or the likes thereof.

### FEATURES

- Fine fire clay wash basin without overflow hole
- Contemporary design
- Single tap hole in centre
- Deep bowl for comfortable use
- Fulfills high design and quality expectations

### INCLUDED COMPONENTS

- Faucets not included

### WARRANTY

- 25 year written warranty against crazing and dunting

### STANDARDS APPLICABLE

- Specified model meets or exceeds the following:
- BS EN 14688 : 2006

### TECHNICAL INFORMATION

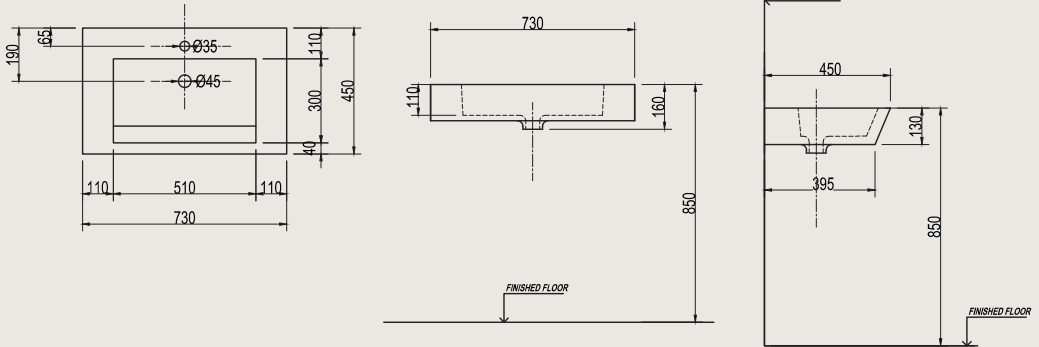
\*\* Approximate measurements for comparison only

CONFIGURATION	COUNTER TOP WASH BASIN
Weight	20 kg
Basin Area	510x300x110 mm
Height - Floor to Rim	850 mm
Nominal Dimensions	730x450x160 mm
Faucet Hole	35 mm
Waste Hole	45 mm
Water Depth	110 mm

# SUMMER BLUE X WASH BASIN

## TECHNICAL DRAWINGS

All drawings contain the necessary measurements, which are subject to standard tolerances. They are stated in mm, are drawn on a scale of 1:20 and are non-binding. Exact measurements, in particular for customized installation scenarios, can only be taken from the finished ceramic piece.



## INSTALLATION NOTES

- Install this product according to the installation guide
- Scan for instructions



Royal Ceramics Lanka PLC.

No.20, R.A. De Mel Mawatha, Colombo 03, Sri Lanka.

☎ 076 6 223 344 ✉ info@rcl.lk 🌐 www.rocell.com

FOLLOW US



\*\* Dimensions of fixtures are nominal and may vary within the range of tolerance. These measurements are subject to change or cancellation. No responsibility is assumed for use of superseded or voided leaflet.